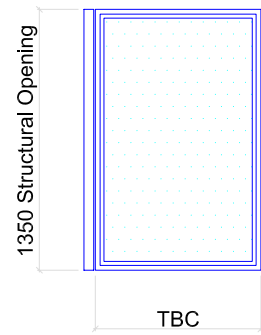


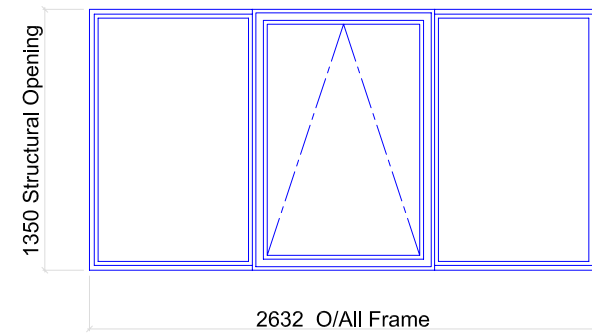
FRONT ELEVATION - WINDOW SCHEDULE

Scale 1:20

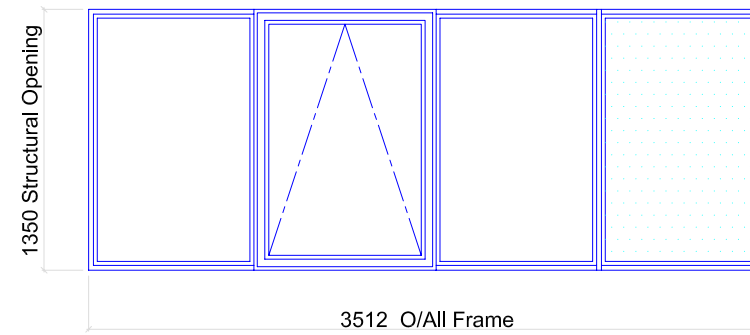
CORNERS 6 No.



TYPE (A) 18 No.

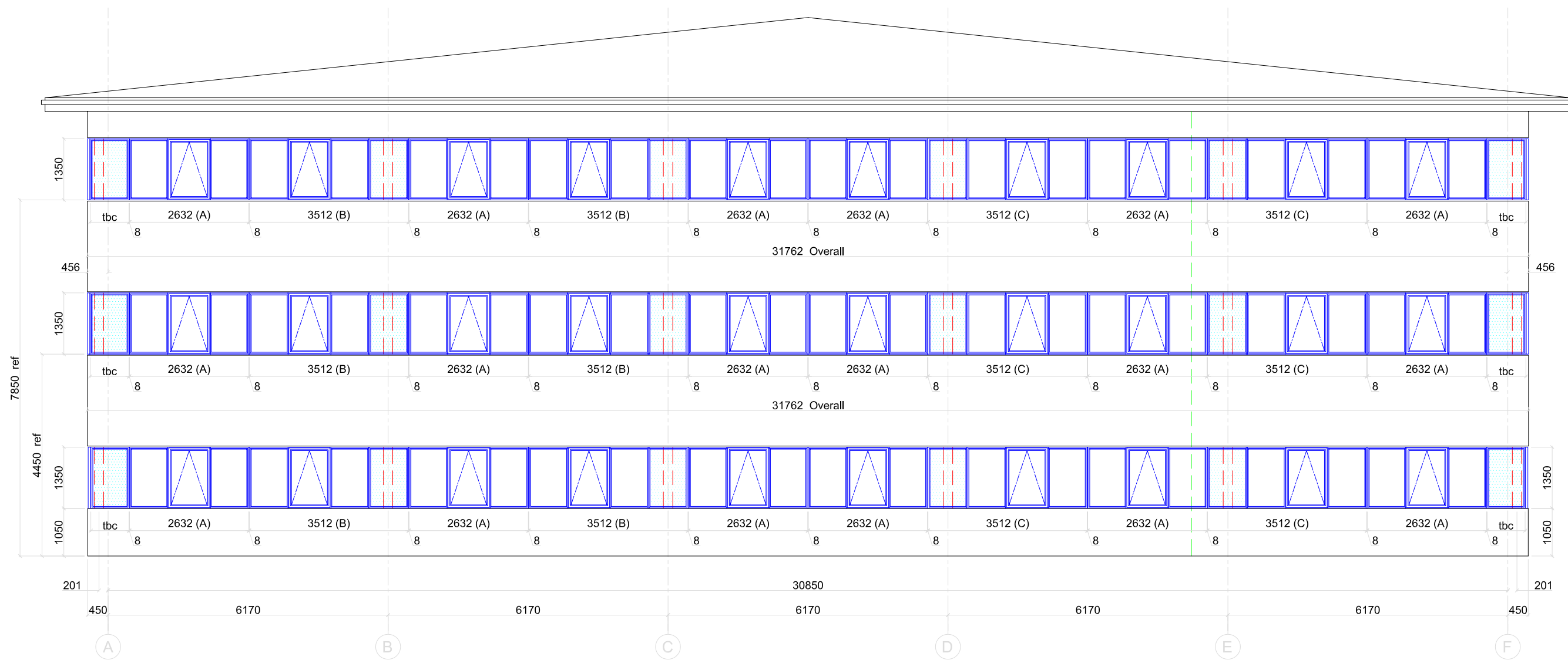
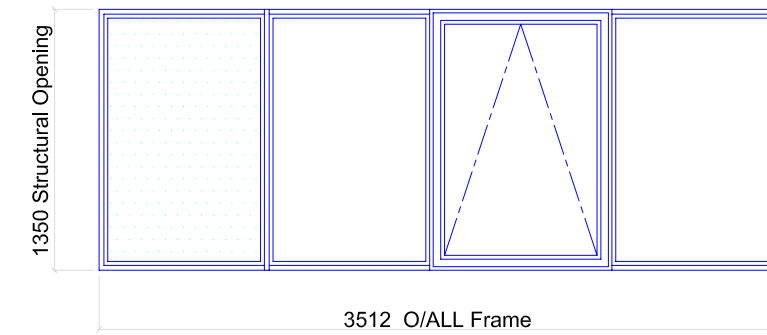


TYPE (B) 6 No.



TYPE (C) 6 No.

NOTE: AS TYPE (B) BUT HANDED



FRONT ELEVATION